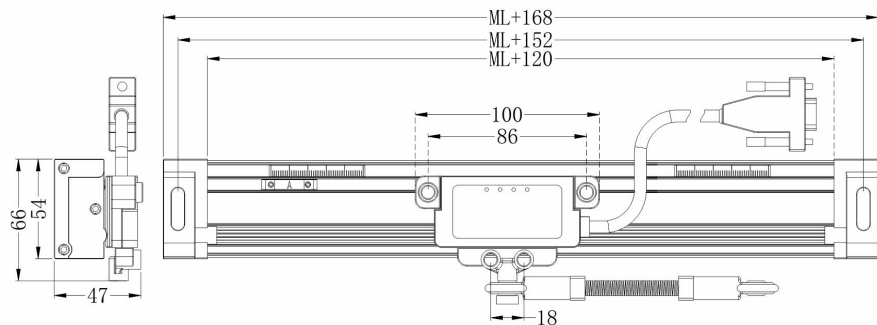


ATS 绝对值磁栅尺

ATS INCREMENTAL MAGNETIC GRILLE RULER



标注单位: mm

性能和优势

- 周期编码长度1024mm
Period code length 1024mm
- 高分辨率
High resolution
- 无接触读数
Contactless readings
- 支持BISS-C,SSI,RS-485,松下,多摩川等通讯协议
Supports BISS-C, SSI, RS-485, Panasonic, Domochoan and other communication protocols
- 使用万向节,带来各种应用安装的可能性
Use of universal joints opens up the possibility of installation for various applications
- 读头由带弹片系统的自对正和自清洁滑块引导
The reading head is guided by a self-aligning and self-cleaning slide with a shrapnel system
- 绝对式磁栅尺,无需参考点,无需限位开关信号,适用于同步折弯机的两柱上统一使用
Absolute magnetic grille ruler, no reference point, no limit switch signal, suitable for unified use on two pillars of synchronous bender

产品技术参数

特性 (Characteristic)	技术参数 (Technical parameter)
栅距 (Pitch)	2+2 mm III_2
热膨胀系数 (Coefficient of thermal expansion)	$10.6 \times 10^{-6} \text{ } ^\circ\text{C}^{-1}$
分辨率 (Resolving power)	1, 5, 10 μm
重复性 (Repetitiveness)	± 2 个分辨率 (resolution)
精确等级 (Precision Level)	$\pm 20\mu\text{m}$
测量长度mm (Measuring length)	170, 220, 270, 320, 370, 420, 470, 520, 570, 620, 720, ...
最大移动速度 (Maximum Moving Speed)	4 m/s
要求的移动力(Required mobility force)	$\leq 1.5 \text{ N}$
抗振性 (Vibration resistance) (EN 6 006 8-2-6)	100 m/s^2 [55 - 2000 Hz]
耐冲击性 (Impact resistance) (EN 6 006 8-2-27)	150 m/s^2 [11 ms]
保护等级 (Protection Level) (EN 60529)	Ip65标准 (Standard)
工作温度 (Working temperature)	$-20^\circ\text{C} \sim 80^\circ\text{C}$
储存温度 (Storage temperature)	$-20^\circ\text{C} \sim 80^\circ\text{C}$
相对湿度 (Relative humidity)	20% ~ 80% (非冷凝) (Non-condensing)
支架滑动 (Support sliding)	无接触 (Contactless)
供应电源 (Supply power)	5 Vdc $\pm 5\%$
电流消耗 (Current Consumption)	140 mAMAX
最大电缆长度 (Maximum cable length)	10 m
电气连接 (Electrical connection)	请参照相应表格 (Please refer to the corresponding table)
电气保护 (Electrical protection)	极性反接和短路 (Polarity reversal and short circuit)
重量 (Weight)	950 g + 1050 g/m