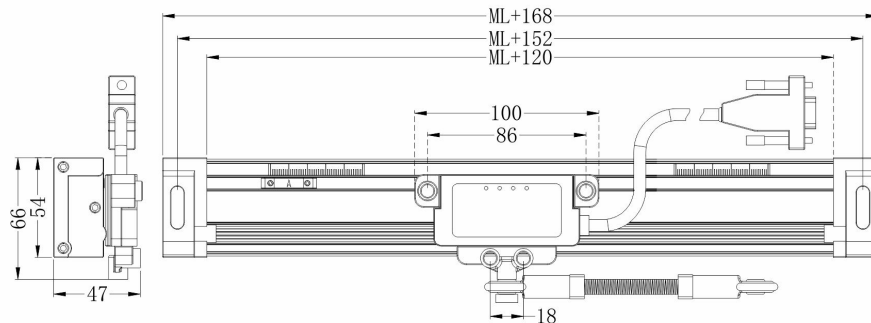


CTS 增量式磁栅尺

CTS INCREMENTAL MAGNETIC GRILLE RULER



标注单位: mm

性能和优势

- 高分辨率
High resolution
- 适用于同步折弯机
Suitable for synchronous bending machine
- 无接触读数
Contactless readings
- 选项: 安全限位开关, 定位在尺子两端
Option: Safety limit switch, positioned at both ends of the ruler
- 读头由带弹片系统的自对正和自清洁滑块引导
The reading head is guided by a self-aligning and self-cleaning slide with a shrapnel system
- 可选零参考点, 使尺子具有对称性, 同一型号的尺子可以在折弯机的两柱上统一使用
Zero reference points can be selected to symmetry the ruler so that the same type of ruler can be used uniformly on both columns of the bender
- 使用万向节, 带来各种应用安装的可能性
Use of universal joints opens up the possibility of installation for various applications

产品技术参数

| 特性 (Characteristic) | 技术参数 (Technical parameter) |
|---|--|
| 测量支持 (Measurement support) | 塑性铁氧体不锈钢带 (Plastic ferrite stainless steel strip) |
| 栅距 (Pitch) | 5+5 mm \pm 1 μ m |
| 热膨胀系数 (Coefficient of thermal expansion) | 10.6 x 10 ⁻⁶ °C ⁻¹ |
| 参考点 (I0) (Reference point) | E=可选 (Optional) |
| 分辨率 (Resolving power) | 50, 25, 10, 5, 1 μ m |
| 重复性 (Repetitiveness) | \pm 2个分辨率 (resolution) |
| 精确等级 (Precision Level) | \pm 20 μ m |
| 测量长度mm (Measuring length) | 170, 220, 270, 320, 370, 420, 470, 520, 570, 620, 720, ... |
| 最大移动速度 (Maximum Moving Speed) | 2 m/s |
| 要求的移动力 (Required mobility force) | \leq 1.5 N |
| 抗振性 (Vibration resistance) (EN 6 006 8-2-6) | 100 m/s ² [55 - 2000 Hz] |
| 耐冲击性 (Impact resistance) (EN 6 006 8-2-27) | 150 m/s ² [11 ms] |
| 保护等级 (Protection Level) (EN 60529) | Ip65标准 (Standard) |
| 工作温度 (Working temperature) | -20°C ~ 80°C |
| 储存温度 (Storage temperature) | -20°C ~ 80°C |
| 相对湿度 (Relative humidity) | 20% ~ 80% (非冷凝) (Non-condensing) |
| 支架滑动 (Support sliding) | 无接触 (Contactless) |
| 供应电源 (Supply power) | 5-30V |
| 电流消耗 (Current Consumption) | 70 mAMAX |
| A, B and I0 输出信号 (Output signal) | LINE DRIVER (线路驱动) (Line Drive) |
| 最大电缆长度 (Maximum cable length) | 30 m |
| 电气连接 (Electrical connection) | 请参照相应表格 (Please refer to the corresponding table) |
| 电气保护 (Electrical protection) | 极性反接和短路 (Polarity reversal and short circuit) |
| 重量 (Weight) | 950 g + 1050 g/m |