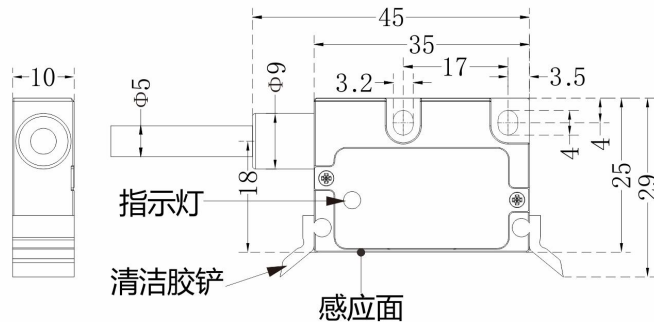


LMH增量式磁栅编码器

LMH INCREMENTAL MAGNETIC GRID ENCODER



标注单位: mm

性能和优势

- 高系统精度,高重复精度
High system accuracy, high repeatability
- 高间隙公差,任意测量长度
High clearance tolerance, arbitrary measuring length
- 高品质连接线,编织屏蔽线,耐折弯,耐磨,抗干扰
High quality wiring, braided shielding wire, bending resistance, abrasion resistance, anti-interference
- 非接触式测量,耐灰尘、耐磨损、耐冲击、抗振动、抗磁场干扰
Non-contact measurement, dust resistance, wear resistance, impact resistance, vibration resistance, magnetic field interference resistance
- 可定制最高输出频率
Customizable maximum output frequency
- 高分辨率
High resolution
- 体积小,适用于小安装空间
Small size, suitable for small installation space
- 工业标准数字信号 (A+,A-,B+,B-,Z+,Z-)
Industrial standard digital signals (A+, A-, B+, B-, Z+, Z-)
- 防护等级高,耐油,灰尘,润滑剂等污染
High level of protection, oil, dust, lubricants and other contaminants

产品技术参数

特性 (Characteristic)	技术参数 (Technical parameter)
供电电压 (Supply Voltage)	DC5V or DC7-28V
磁间距 (Magnetic spacing)	5+5mm
分辨率 (Resolving power)	1μm
输出频率 (output frequency)	1000KHz (输出频率可定制)
重复精度 (Repetition accuracy)	±2μm
线缆 (Cable)	8芯屏蔽线 (8-core shielded wire)
接线方式 (Wiring method)	直接出线或DB9 (Direct Outline or DB9)
输出形式 (Output form)	RS422
LED状态指示 (LED status indication)	红/绿色 (Red/green)
电流 (Electric current)	小于45mA (Less than 45 mA)
可订制参数 (Customizable parameters)	分辨率, 输出频率, 计数方向, 线缆长度 Resolution, output frequency, counting direction, cable length
防护等级 (Protection Class)	IP67